

### DESCRIPTION

LC1118 is a dual channel low-dropout regulator that delivers a maximum current of 1A for each individual output. Typical dropout voltage at 1A load current is 1.3V. Each individual output voltage can be set independently as fixed voltage (e.g 1.2V, 1.8V, 2.5V, 3.3V, 5V) or adjustable output which can provide an output voltage from 1.25 to 12V with two external resistors. The output accuracy of each channel is set within 2% by trimming.

LC1118 offers thermal shut down and current limit functions to ensure reliability of device and power system.

Package input/output pin configuration can be customized on demand ( i.e both output can share one input to save one input capacitor and corresponding PCB real estate).

LC1118 is available in lead (Pb)-free ESOP-8(with exposed pad for heat dissipation) package.

### ORDERING INFORMATION

LC1118 [1](#) [2](#) [3](#) [4](#) [5](#)

Code	Description
<a href="#">1</a>	Temperature&RoHS: C:-40~85°C , Pb Free RoHS Std.
<a href="#">2</a>	Package type: S8: ESOP-8
<a href="#">3</a>	Packing type: TR: Tape&Reel (Standard)
<a href="#">4</a>	CH1 Output voltage: e.g. 3.3V AD=ADJ
<a href="#">5</a>	CH2 Output voltage: e.g. 3.3V AD=ADJ

### FEATURES

- Dual channel output with each individual output can be either fixed output version or adjustable version.
- Maximum output current for each channel is 1A
- Range of operation input voltage: Max 12V
- Standby current of each output: 2mA (typ.)
- Line regulation: 0.1%/V (typ.)
- Load regulation: 10mV (typ.)
- Environment Temperature: -20°C~85°C
- Compatible with tantalum capacitor, electrolytic capacitor and MLCC.

### APPLICATIONS

- Power Management for Computer Mother Board, Graphic Card
- LCD Monitor and LCD TV
- DVD Decode Board
- ADSL Modem
- Post Regulators for Switching Supplies

### TYPICAL APPLICATION

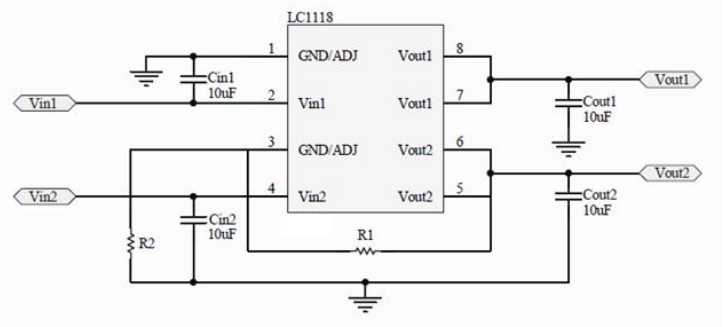


Fig.1. Typical Application of LC1118

### PIN CONFIGURATION

